

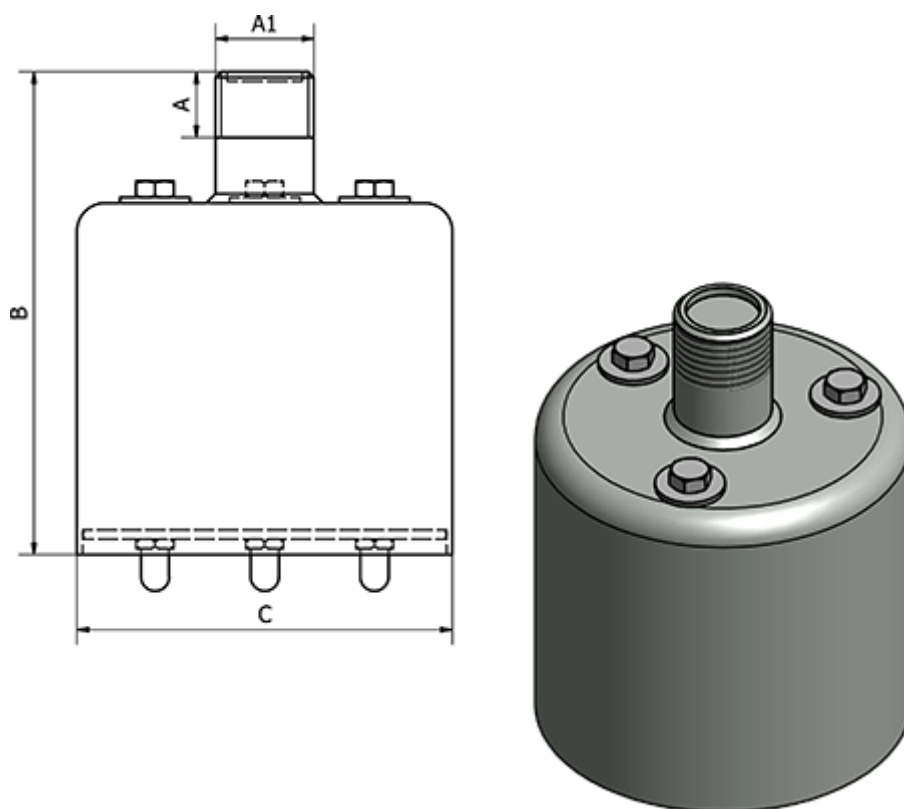
Data Sheet



Article number: 5865705

Description: Silencers with Hi-flow 570-5, - G 1 1/2"
Silencer With Hi-Flow

Measures



A	= 24
B	= 172
C	= 150
Thread A1	= G 1 1/2"